

SLINEX

Instruction Manual

Established with the ISO9001 Certification

Model: Mira
Zian
Dirk

Slinex Technology, Ltd

With more than ten years' R&D and production experience on community security & protection products, Slinex Digital Technology Co., Ltd. always adheres our mission of "centralize on technology, drove by innovation" and carries out development, production, sale and service under ISO9001 Quality Management System, moreover high standard and advanced testing equipment is adopted for testing, capable team is employed for management, hence Slinex products can be used without any quality problems.

◇ Thanks for choosing Slinex product, please read this manual carefully before use.

◇ Since technology is developing Slinex reserves the right to change any specification and parameters of product without prior notice.

◇ All files should be checked carefully, Slinex shall not be responsible for the accident caused by print errors or omissions.

◇ Slinex reserves the right to any modifications and final explanation for this manual.

Contents

(Version 1.00)

1. Product Brief.....	1
2. Technical Specification.....	1
3. Features.....	2
4. How to use.....	2
5. Wiring Diagram.....	12
6. Installation.....	17
7. Trouble Shooting.....	20
8. Important Notice.....	20

1. Product Brief

These product series feature with intercom, messages, visitor photo, arm/disarm, monitor, home appliance control and so on. User can check all audio and video messages based on its functions of visitor photo taking, voice recording and playing, easy accessing on private and public messages.

2. Technical Specification

◇ Rating Voltage: DC13V±10%

◇ Rating Current

Mira

Working≤380mA. Standby: screen on≤350mA, screen off≤210mA

Zian

Working≤960mA. Standby: screen on≤700mA, screen off≤220mA.

Dirk

working≤290mA. Standby: screen on≤270mA, screen off≤160mA.

◇ Audio frequency: 300 ~ 3400Hz

◇ Screen resolution Dirk : 800×480

Mira / Zian: 1024×600

◇ Answer channel loudness: 18dB±5dB

Calling channel loudness: 13dB±5dB

◇ Working temperature : -13°C ~ 57°C

◇ Working humidity : 45% ~ 95%

◇ Unit size:

Mira : 235×139×18mm (L×W×T)

Zian : 322×188×19mm (L×W×T)

Dirk : 200×186×27mm (L×W×T)

◇ Messages storage

① Visitor photos : 30

② Voice messages : 30

③ Text messages: 30

④ Call log: 30

⑤ Alarm record: 30

3. Features

◇ Home appliance control

◇ Play music

◇ Photo album

◇ Visitor photo/ voice messages

◇ Smart home security/ video intercom

◇ Monitor

◇ Arm/ disarm

◇ Automatic checking time

4. How to use

I. Key Function

Mira

◇ Answer key/ hang on/ hang off function

When receiving calls, it is used as hang on/off function. When alarming with siren, press this key to cancel.

◇ Unlock key: When talking with lobby phone, press [Unlck] key to open the door, and the indicator light flash one time.

Zian

◇ Arm key

In the main menu, press [Arm] key one time, to enter Arm/Disarm interface. Press [Arm] key two times, to enter Arm

Away mode.

◇ SOS key

Press this key for 3s, to send out emergency alarm.

◇ Management Office

In the main menu, press this key to enter Call interface. Press this key again to call management office.

◇ Monitor key

In the main menu, press this key to enter Monitor interface.

Press this key again to monitor lobby phone.

◇Unlock key

When talking with lobby phone, press [Unlock] key to open the door. In the main menu, press this key to enter [Messages] interface. In Call interface, press this key to call analog sub-monitor.

◇Answer key

When receiving calls, it is used as hang on/off function. When alarming with siren, press this key to cancel.

II. Indicator light

(1) Mira

◇Answer key

During standby status, the light keeps off. When answering a call, the light keeps on.

◇Unlock

During standby status, the light keeps off. Unlock the door during talking, the light flash one time. During standby status, if there are unread messages, the light flash all the time until all messages are read.

(2) Zian

◇Arm zone

The light keeps on after arming. When receiving alarm (except emergency alarm), the light flash each second. The light keeps off after disarming.

◇SOS

When receiving emergency alarm, the light flash. The light keeps on during other status.

◇Management Office

In the main menu, press this key to call management office. The light keeps on. The light keeps off during other status.

◇Monitor

During monitor status, the light keeps on, and keeps off during other status.

(3)

◇Unlock

During calling/hang on status, the light keeps on. Unlock the door during talking, the light flash one time. During standby status, if there are unread messages, the light flash all the time until all messages are read. Do not unlock the door during talking, the light keeps off even if there are unread messages.

◇Answer key

During standby status, the light keeps off. When answering a call, the light keeps on. When receiving call, the light flash each second. The light keeps on during hang on status.

(3) Dirk

◇Green light

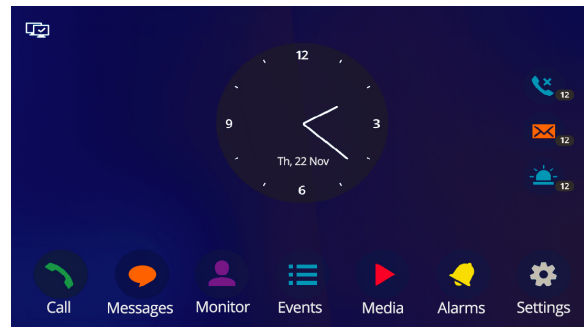
During standby and talking status, green light keeps on. When receiving a call, green light flash.

◇Blue light

Unlock the door during talking, blue light flash one time.

During standby status, if there are unread messages, the light flash all the time until all messages are read.

III. Main menu icons and explanation



(4)

◇Time: Display local date and time, can be set in **【Setting】** or restart the device to synchronize on the background software.

◇Shortcut keys/New messages: In the main menu **【📞】**, **【✉️】**, **【📧】** Means new missed calls, alarm messages, public/personal messages. Press the icon to check relative new messages.

◇Network status: In the main menu, on the right bottom, the icon shows current network status. **【📶】** Network is connected.

【🚫📶】 Network is disconnected.

◇Messages

(1). **【📞】** **【Voice Messages】** check visitor voice messages.

(2). **【📷】** **【Visitor Photos】** check visitor photos record.

(3). **【📧】** **【Personal Messages】** check personal messages sent by community.

(4). **【📧】** **【Public Messages】** check public messages sent by community.

(5). **【📞】** **【Family Messages】** check voice messages recorded by terminal.

Remark: Press **【🗑️】** to delete the messages. If the messages are more than 30 items, it will delete the earliest one automatically.

◇Query

(1). **【📞】** **【Intercom Record】** including missed calls, answered calls, dialed calls.

(2). **【📞】** **【Phone Record】** including missed calls, answered calls, dialed calls. (This function is not available now)

(3). **【📞】** **【Alarm Messages】** a. user alarm: query arm zone; b. arm & disarm: query terminal arm and disarm record; c. delete messages: select alarm item, press **【🗑️】** to delete.

Remark: unread messages are in red font.

(5)

(4). **【📞】** **【Contacts】** query the contacts, select contact item, press **【📞】** to call, press **【🗑️】** to delete.

(5). **【📞】** **【Device Information】** including device name, code, IP address, subnet mask, gateway, MAC address, software version, hardware version.

◇Monitor

【📞】 **【House Door】** : monitoring analog villa house door.

【📞】 **【Block Entry】** : monitoring block entry door or IP villa house door.

【📞】 **【Main Entrance】** : monitoring main entrance in one community.

【📞】 **【Area Monitoring】** : monitoring 720P IP camera.

Remark: monitoring main entrance is not available now.

◇Call

(1). In the main menu, press **【📞】**, enter 8-digit unit No., Press **【📞】** to call monitor.

(2). In the main menu, press **【📞】**, enter 8-digit **【0】**, press **【📞】** to call management office, or press **【📞】** to call management office directly.

(3). In the main menu, press **【📞】**, enter **【0】**, press **【📞】** to call sub monitor.

(4). In the main menu, press **【📞】**, enter **【9】**, press **【📞】** to call IP sub monitor.

(5). In **【📞】** **【Contacts】** menu, press **【📞】** to query the saved contact list, select the item, press **【📞】** to call directly.

◇Appliances


Use Appliance Configuration Software to set appliance, to upload the data to the monitor (please refer to "Appliance Configuration Software Instruction Manual" for details). After uploading, press **【📞】** **【Appliance】** to enter complete scenario. It can control the appliances set via software. Select the room, and control the scenario.

(6)

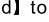
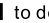
Remark: All appliances should be set by Slinex Appliance Configuration Software. The monitor can not control the appliances separately, it can only control the complete or regional scenario.

◇Entertainment

(1). **【Music】** select music to play, delete music file and adjust volume.

(2). **【Photo Album】** check/play/delete photos, press **【】** to set the background photo.

(3). **【Video】** this function is not available.

(4). **【Record】** in the main menu, press **【Entertainment】** → **【Record】** → **【Start】** to leave voice message, press **【End】** to finish, press **【】** to save record. Press **【】** to delete. Recording time is 15 seconds. In the main menu, press **【Messages】** → **【Family Messages】** to play the record.

◇Lift control

Can control the lift to going up and down.

Remark: this function need to be used with lift device.

◇Arm/disarm

In the main menu, press **【Arm/disarm】** icon, enter 4-digit user password (default password is **【0000】**), arm after disarm status, do not need to enter password). During **【Arm/disarm】** status, you can select **【At Home】**, **【Away】**, **【Rest】**, **【Disarm】** mode.

Remark: The sub monitor is in the same status (arm/disarm/alarm/cancel siren) with main monitor.

◇Wireless arm zone

It can be controlled by alarm RF transmitter, please refer to alarm RF transmitter specification and instruction manual for details.

Remark: When alarming, the monitor send out siren for 60 seconds. Press **【Answer】** to cancel the siren. In alarm menu, press **【Cancel】** to cancel. Or press **【Disarm】**, enter password (default password is **【0000】**) to disarm.

◇Setting

(1). Password Setting

Enter old password, press **【←】** and enter new password, press **【←】** to save. If there's wrong password, it will clear automatically, need to enter again. (default password is **【0000】**)

(2). Screen Setting

Press **【+/-】** to adjust screen brightness. Press **【+/-】** to Adjust screen saver time.

Remark: adjust screen brightness function is not available.

(3). Ringtone Setting

Set the intercom ringtone from management office, main entrance, block entry door, sub monitor. It can be set **【Mute】** and adjust ringtone volume,.

(4). IP setting

Press **【IP setting】**, enter 6-digit IP password (default password is **【008550】**), press **【←】** to confirm. It includes IP address, gateway, subnet mask, DNS server, press to revise. Press **【C】** to cancel, press **【←】** to confirm after entering.

(5). Time Setting

Set date and time in the system.

Remark: Use scenario setting after uploading the appliance.

(6). Encode Setting

Press **【Encode Setting】** → enter 6-digit IP password (default password is **【008550】**) → press **【←】** to enter monitor 8-digit No. (4-digit block No. + 4-digit unit No.), or enter 9-digit No. (4-digit block No. + 4-digit unit No. + 1-digit main and sub

No.). Main and sub monitor can be only 0-3, main monitor is **【0】**, sub monitor is 1-3 (IPINSTALL software do not support to set). The arm zone number for main and sub monitor is 1-8, 9-16, 17-24, 25-32. Voice messages, visitor photos, intercoms, and alarm will be deleted after encoding. Press **【C】** to delete current 8-digit or 9-digit NO.

(7). Factory Reset

When encode setting is **【99999999】**, the monitor will reset after restarting.

(8). Arm zone Setting

In the main menu, press **【Setting】** → **【Arm Zone Setting】**, Enter 4-digit user password (default password is **【0000】**), press **【←】** to enter arm zone setting, press one of **【At Home】**, **【Rest】**, **【Away】** mode to set. Red letter is valid arm zone, black letter or white letter is invalid arm zone. Arm zone type includes: door sensor, smoke sensor, gas sensor, glass, health, fire, probe, emergency, doorbell. User can set alarm delay (10s-60s) and arm delay (20s-120s), except doorbell and emergency. Press **【Disarm】** to disarm.

Remark: Arm zone 1-4: delay arm zone. Arm zone 5-6: immediate arm zone. Arm zone 7-8: 24 hours arm zone.

Disarm when arm zone 7-8 is enable, arm zone 7-8 can not alarm. Disarm when arm zone 7-8 is activated, arm zone 7-8 can alarm. When arm type is **【At Home】**, **【Rest】** or **【Away】**, can not enter alarm setting. It can be set only during disarm status. When arm zone type is emergency, it will alarm. When arm zone type is doorbell, it will alarm with display screen tips. During intercom or alarm status, it won't ring, only with display screen tips.

◇Password unlock disarm

In front of door station, user can use password to unlock, open

the lock. Mean while, monitor will disarm automatically.

◇Function between digital community system and monitors

(1). Check visitor photos and voice messages (only photos).

(2). Check alarm messages.

(3). Check public information, device contacts.

(4). Remove the alarm messages sent from monitor to PC background server.

(5). Send calling record to background software.

◇Cross network segment

Cross network segment system setting: Use IP door station as Main transmitter, use IP guard station Hank-IG10A as sub transmitter. The list in main and sub transmitter should include all IP devices. The address analytical gateway for all IP devices should be the IP door station IP address. DNS1 for all devices should be transmitter IP address (Hank-IG10A).

Remark: 1. Use two level gateway to find IP code, level one is address analytical gateway, level two is DNS1. When level one is offline, then use level two to find. Avoid to use the same IP for level one and level two gateway.

2. As address analytical gateway's priority is more than DNS1, when current address analytical gateway is 255.255.255.255 or 0.0.0.0, no matter DNS1 is which IP address, the device use broadcast to find address (device address analytical gateway default setting is 0.0.0.0).

3. Transmitter list includes all device code and IP address, the main and sub transmitter need to have same list.

4. When there's a central guard station, it should be the main transmitter. Sub transmitter should be set as IP door station).

All "DNS" in IP setting should be the IP address in this block IP door station. Central and Regional guard station need to fill code and IP address as

For example: Hank /Mira /Zian /Dirk

Sitara information:

IP address: 192.168.1.2.
 Subnet mask: 255.255.255.0.
 Gateway: 192.168.1.1.
 Code:99010000.

Mira /Zian /Dirk information:

IP address 192.168.2.2.
 Subnet mask: 255.255.255.0.
 Gateway: 192.168.2.1.
 Code:99010101.

Hank information:

IP address 192.168.3.2.
 Subnet mask: 255.255.255.0.
 Gateway: 192.168.3.1.
 Code:00000000.

(1). Door station configuration:

Use IPINSTALL software, to find door station Sitara

(192.168.1.2) 【address analytical gateway】 Fill:192.168.1.2

【Encode IP list】 Fill: 99010000 192.168.1.2
 99010101 192.168.2.2
 00000000 192.168.3.2

【DNS1】 Fill: 192.168.3.2

(2). Guard station configuration

Guard station [address analytical gateway] Fill: 192.168.1.2

【Encode IP list】 Fill: 99010000 192.168.1.2
 99010101 192.168.2.2
 00000000 192.168.3.2

【DNS1】 Fill: 192.168.3.2

(3). Monitor configuration

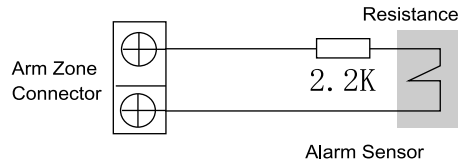
Monitor 【address analytical gateway】 Fill: 192.168.1.2

【DNS1】 Fill: 192.168.3.2

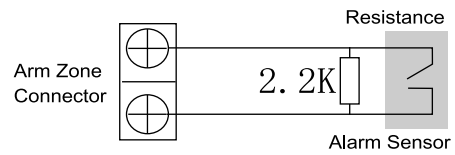
5.Wiring Diagram

(1) The arm zone connector can connect with normal open or normal close alarm sensor. In order to set the arm zone with anti-cutting function, please connect a resistance together with the sensor as follow schematic diagram, then remove the jumper of the relative zone. For a zone without any sensor, please remain the relative jumper on the unit.

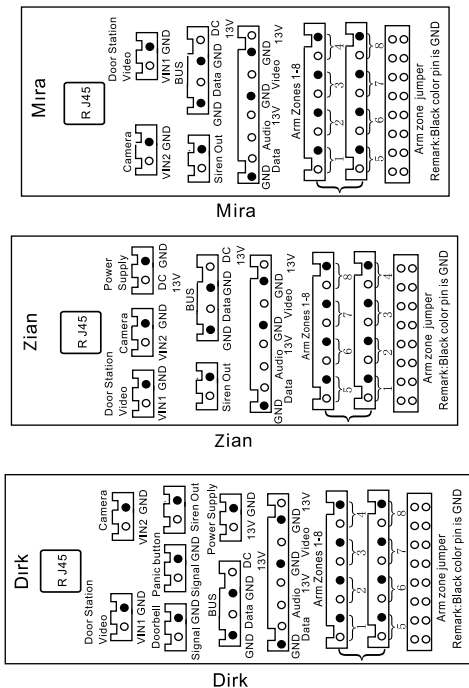
① Cable connecting instruction for normal close alarm sensor.



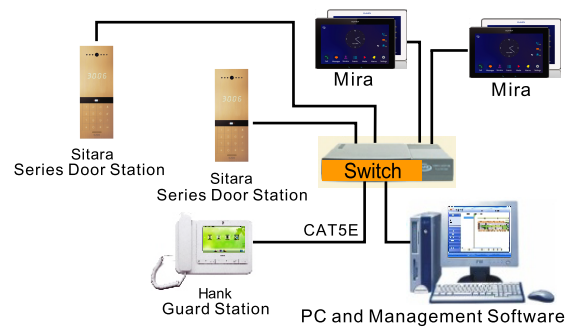
② Cable connecting instruction for normal open alarm sensor.



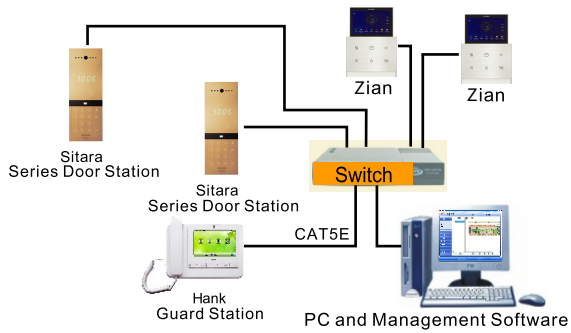
(2) Cable connecting instruction



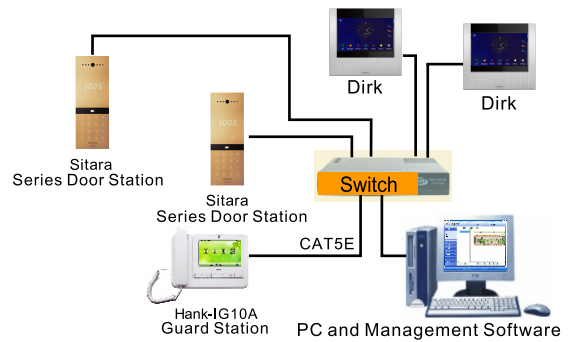
③ Mira system wiring diagram



⑤ Zian system wiring diagram

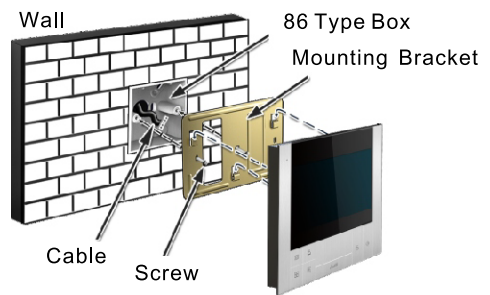
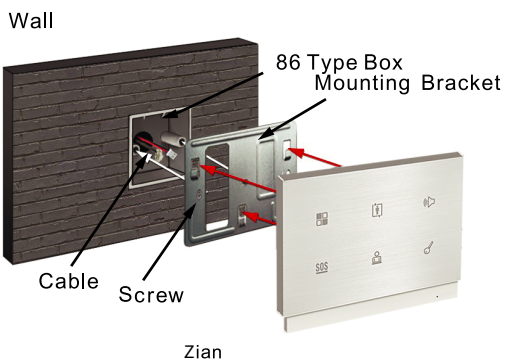
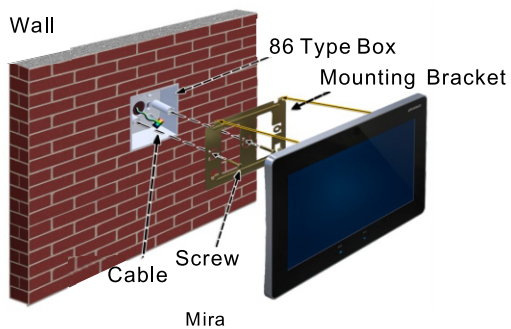


⑥ Dirk system wiring diagram



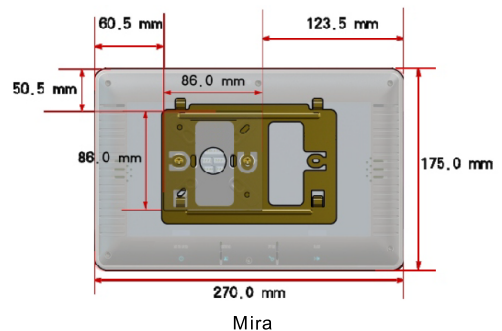
6. Installation

1) See below picture for flush mount installation

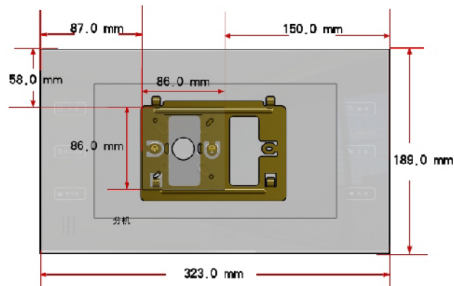


Dirk

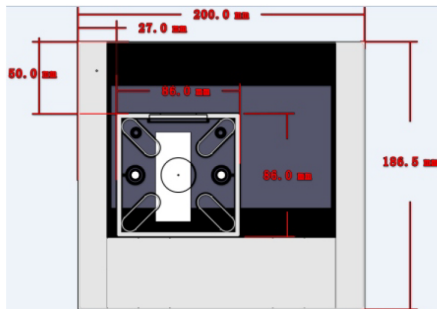
2) See below picture for the die-cut of bracket.



Mira



Zian



Dirk

7. Trouble Shooting

1) Trouble: No action while touch all icons on screen.

Suggestion: Follow the instruction to do screen calibration.

2) Trouble: No ringing while receiving a call

Suggestion: Check the status of "Do not disturb" in setting.

3) Trouble: Alarming all the time for some arm zone.

Suggestion: Check the arm zone probe and wiring.

4) Trouble: Can not send alarm message to background PC.

Suggestion: Check the network between user monitor and background PC, if the cable is connected.

8. Important Notice

1) The unit should be installed in a right place without chemical material, heavy dust and high temperature.

2) The unit should be installed at a right height to ensure a right view angle and comfortable operation.

3) Do not connect to the power supply during installation.

4) Double check the wiring before turn on the power supply.

5) Please contact a service agent if the unit does not works properly.