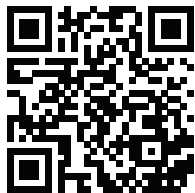


{ Design. Uniqueness. Innovations }

Technical support



Manual download



{ Design. Uniqueness. Innovations }

ML-20HD

high definition
video outdoor panel



AHD 1080P
(2 Mp)



Thank you for
choosing our equipment

SLINEX

User manual

SLINEX

Safety instructions

Read and keep that manual.

The device installation process should be carried out by the qualified specialists.

Use the device from the $-40\text{ }^{\circ}\text{C}$ to $+50\text{ }^{\circ}\text{C}$, always keep it within that temperature range.

Installation surface should be free from vibration and impact influence.

Keep this device far from open sources of heat, such as radiators, heaters, and ovens.

The device can be installed near other electronic equipment in case if the temperature of the environment does not exceed previously mentioned range.

The device should be protected from the direct influence of the natural phenomena, such as direct sunlight, rain or snow.

Don't use aggressive or abradant detergent for the device surface cleaning.

Use soft wet cloth or tissue to remove strong dirt.

Attention!

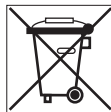


As a result of continuous upgrades and functionality improvements, technical characteristics of the device can be changed without any preliminary declaration.

This manual can contain some inaccuracy or misprint.

The owner reserves the right to make corrections to the information described in the user manual and device package.

Nature protection



Don't throw away the device with other industrial or nutritive trash if you see that symbol. Some regions have separation and recycling systems for the electronic equipment.

Connect with local authorities to receive information about recycling of electronic equipment for your region.

Rights and limitation of liability

All rights reserved. Any part of that document can not be published in any form, translated into other languages or reproduced in any way including electronic or mechanical.

Document recording and copying is strictly denied without owner permission.

Table of contents

1. Package	4
2. Specification	4
3. Description.....	5
4. Schematic diagram	7
5. Installation.....	8
6. Video camera output setting (AHD or PAL)	10
7. Limited Warranty.....	11

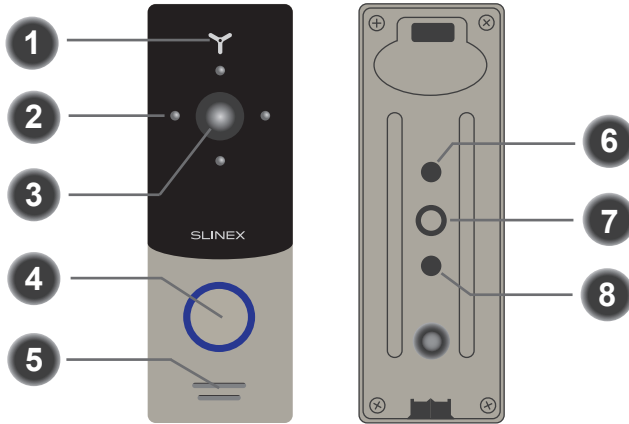
1. Package

ML-20HD outdoor panel – 1 pc.
 Wall mounting bracket – 1 pc.
 Angle bracket – 1 pc.
 Rainshield – 1 pc.
 Flush mounting box – 1 pc. (optional)
 Mounting screws and anchors – 1 pkg.
 User manual – 1 pc.

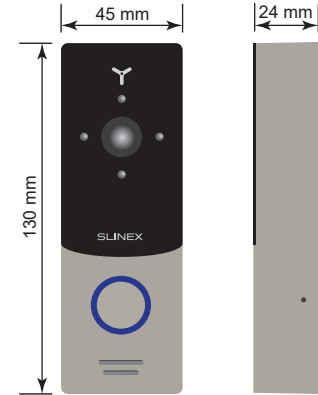
2. Specification

SENSOR TYPE	VOLTAGE
1/4" CMOS	+12 V
RESOLUTION	POWER CONSUMPTION
1920×1080 px.	2.5 W in working mode
VIDEO OUTPUT	INSTALLATION TYPE
AHD 1080p (2 Mp) or PAL (CVBS)	Surface or flush (optional) mount
VIEW ANGLE	DIMENSIONS
150°	45×130×24 mm
NIGHT BACKLIGHT	WORKING TEMPERATURE
Infrared, 1.5 meters distance	-40 ... +50 °C
LOCK RELAY CONTINUOUS CURRENT	
1 A	

3. Description



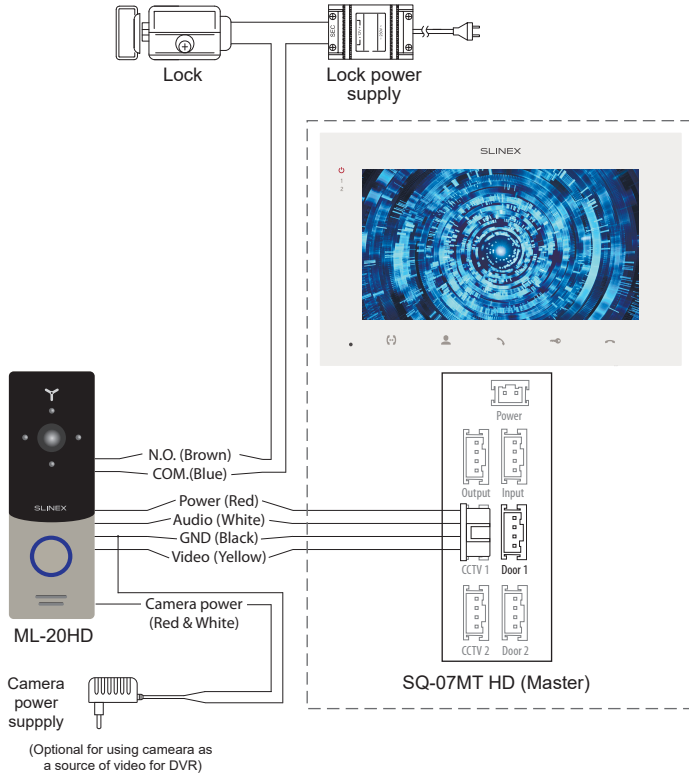
- 1 Microphone
- 2 Night infrared backlight
- 3 Video camera
- 4 Call button
- 5 Speaker
- 6 Video output switching button
- 7 Communication cable
- 8 Speaker volume tuning



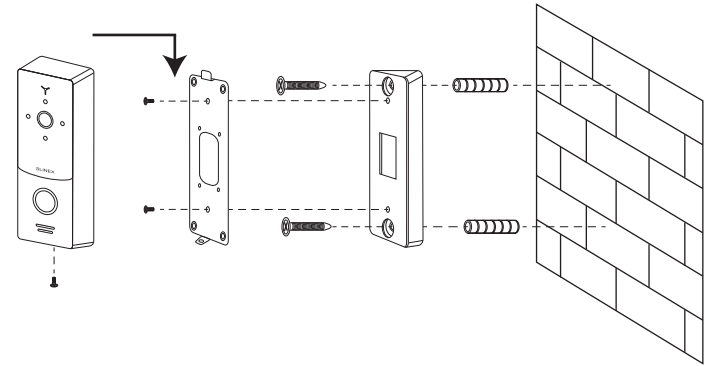
Wire colors

Red	Power, +12 V
Black	Ground (GND)
Yellow	Video
White	Audio
Brown	N.O. relay contact
Blue	COM. relay contact
Red & white	Video camera power, +12 V

4. Schematic diagram

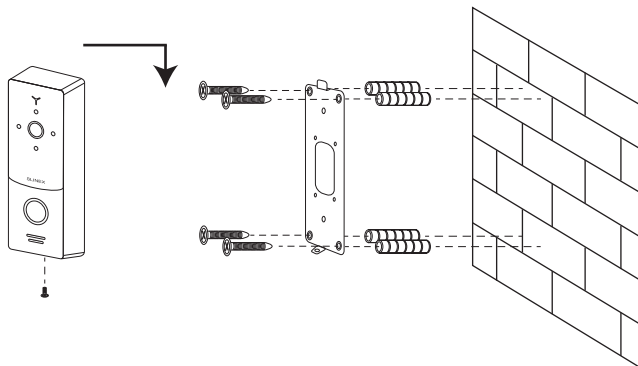


5. Installation



Angle mount

- 1) Take the angle bracket from the kit and place it 150-160 cm from the floor line;
- 2) Mark and drill two halls inside the wall;
- 3) Take two anchors from the kit and hammer them into the drilled halls;
- 4) Fix angle bracket on the wall by two screws from the kit;
- 5) Fix wall mounting bracket on the angle bracket by two screws from the kit;
- 6) Connect all communication wires and fix the door panel on the wall mounting bracket by the screw from the down side.



Surface mount

- 1) Take the wall mounting bracket from the kit and place it 150-160 cm from the floor line;
- 2) Mark and drill four holes inside the wall;
- 3) Take four anchors from the kit and hammer them into the drilled holes;
- 4) Fix wall mounting bracket by four screws from the kit;
- 5) Connect all communication wires and fix the door panel on the wall mounting bracket by the screw from the down side.

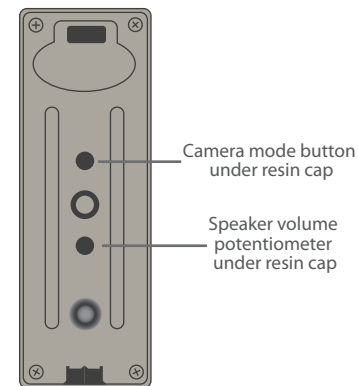
6. Video camera output setting (AHD or PAL)

Door panel video camera can work in two basic modes: analog PAL (CVBS) or AHD (AHD mode activated by default). As AHD is high resolution mode, so it has better quality than analog PAL mode. While using high resolution mode, monitor must maintain that kind of signal (AHD), otherwise there will be no image on the monitor screen.

To switch into PAL mode remove resin cap on the back cover of the outdoor panel. Then press and hold the camera mode button under it by screwdriver during 5 seconds to switch to the PAL mode in a such sequence:

AHD → 5 seconds button holding → PAL;

PAL → 5 seconds button holding → AHD.



7. Limited warranty

Manufacturer guarantees product normal functioning during the warranty period if the user keeps all safety instructions described in that manual.

Warranty period is 12 months from the moment of the product purchasing (warranty period could be extended up to 24 months or more, depending on the local regulations).

Warranty period allows user to make guarantee repair in cases when normal functioning of the product was violated by the fault of manufacturer and the user haven't offend transporting, installation and working conditions.

This limited warranty does not cover any damage to the product that results from improper installation, accident, abuse, misuse, natural disaster, insufficient or excessive electrical supply, abnormal mechanical or environmental conditions, or any unauthorized disassembly, repair or modification.

Warranty void in such cases:

- the product was damaged by the fault of the customer;
- the product wasn't properly installed according recommendations from the manual;
- the sticker on the backside of the product was broken;
- the product was not used for its intended function.

This limited warranty covers only repair, replacement, refund or credit for

defective products, as provided above. Manufacturer is not liable for, and does not cover under warranty, any damages or losses of any kind whatsoever resulting from loss of, damage to, or corruption of, content or data or any costs associated with determining the source of system problems or removing, servicing or installing products. This warranty excludes third party software, connected equipment or stored data. Manufacturer is therefore not liable for any losses or damage attributable to third party software, connected equipment or stored data.

In the event a product has been discontinued, manufacturer shall either repair the product, offer to replace it with a comparable product or provide a refund at the lesser of the purchase price or the product's current value. Repaired or replacement products will continue to be covered by this limited warranty for the remainder of the original warranty term.