

Design. Uniqueness. Innovations.

Design. Uniqueness. Innovations.

# ML-30CR

High definition  
video outdoor panel

Technical support



AHD 1080P  
(2 Mp)



Mifare



Thank you for  
choosing our equipment

**SLINEX**

User manual

**SLINEX**

## Safety instructions

Read and keep that manual.

The device installation process should be carried out by the qualified specialists.

Use the device from the  $-40\text{ }^{\circ}\text{C}$  to  $+50\text{ }^{\circ}\text{C}$ , always keep it within that temperature range.

Installation surface should be free from vibration and impact influence.

Keep this device far from open sources of heat, such as radiators, heaters, and ovens.

The device can be installed near other electronic equipment in case if the temperature of the environment does not exceed previously mentioned range.

The device should be protected from the direct influence of the natural phenomena, such as direct sunlight, rain or snow.

Don't use aggressive or abradant detergent for the device surface cleaning.

Use soft wet cloth or tissue to remove strong dirt.

### Attention!



As a result of continuous upgrades and functionality improvements, technical characteristics of the device can be changed without any preliminary declaration.

This manual can contain some inaccuracy or misprint.

The owner reserves the right to make corrections to the information described in the user manual and device package.

## Nature protection



Don't throw away the device with other industrial or nutritive trash if you see that symbol. Some regions have separation and recycling systems for the electronic equipment.

Connect with local authorities to receive information about recycling of electronic equipment for your region.

## Rights and limitation of liability

All rights reserved. Any part of that document can not be published in any form, translated into other languages or reproduced in any way including electronic or mechanical.

Document recording and copying is strictly denied without owner permission.

## Table of contents

1. Package .....	4
2. Specification .....	4
3. Description.....	5
4. Schematic diagrams .....	8
5. Installation.....	10
6. Settings.....	12
6.1. Memory reset.....	12
6.2. Master password setup .....	12
6.3. Unlock password setting .....	13
6.4. Unlock password deleting .....	14
6.5. Wireless unlock key setting.....	15
6.6. Wireless unlock key deleting.....	16
6.7. Keyboard backlight mode .....	17
7. Settings diagram.....	18
8. Limited Warranty.....	19

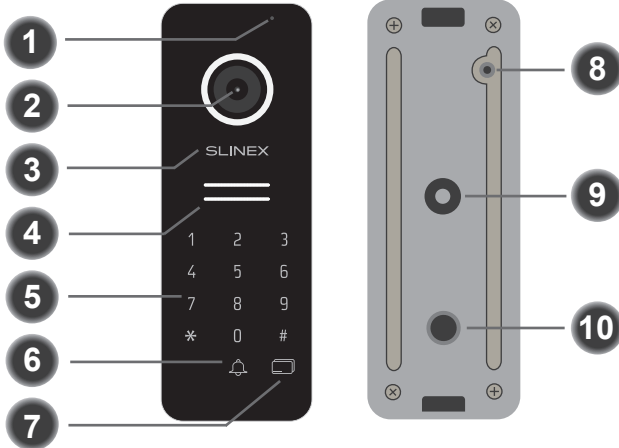
## 1. Package

- ML-30CR outdoor panel – 1 pc.
- Surface mounting bracket – 1 pc.
- Angle bracket – 1 pc.
- Power supply – 1 pc.
- Wireless keys – 5 pcs.
- Mounting screws and anchors – 1 pkg.
- User manual – 1 pc.

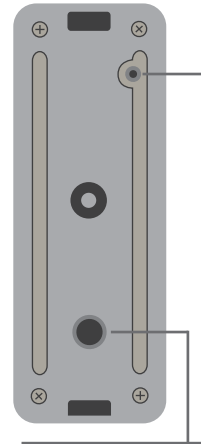
## 2. Specification

SENSOR TYPE	LOCK RELAY CONTINUOUS CURRENT
1/3" CMOS	1 A
RESOLUTION	VOLTAGE
1920×1080 px.	+12 V
VIDEO OUTPUT	POWER CONSUMPTION
PAL, AHD 720p or AHD 1080p	3.6 W in working mode
VIEW ANGLE	INSTALLATION TYPE
150°	Surface mount
NIGHT BACKLIGHT	DIMENSIONS
Infrared, 1.5 meters distance	48×133×19 mm (1.89×5.24×0.75 in.)
ACCESS CONTROL	WORKING TEMPERATURE
Up to 200 Mifare IC keys and up to 200 user passwords	-40 ... +50 °C (-40 ... +122 °F)

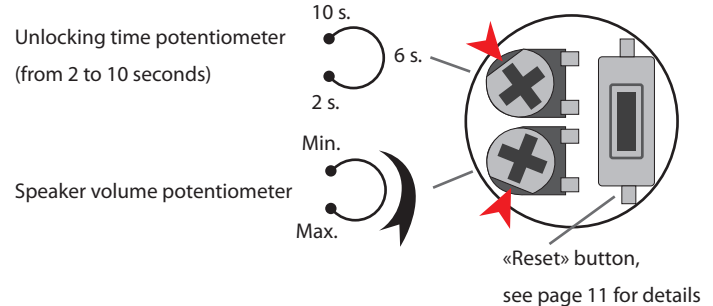
## 3. Description



- 1 Microphone
- 2 Video camera
- 3 Night infrared backlight
- 4 Speaker
- 5 Numeric keypad
- 6 Call button
- 7 Wireless IC card reader
- 8 Camera mode button
- 9 Communication cable
- 10 «Reset» button, unlocking time and speaker volume potentiometers



Door panel video camera can work in three basic modes: CVBS (PAL), AHD (720p) or AHD (1080p). Remove resin cap on the back cover of the outdoor panel. Then press and hold the camera mode button by screwdriver to switch between the modes in a such sequence:  
 PAL → AHD (720p) → AHD (1080p) → PAL → ...  
 Mode change occurs every 4 seconds of camera mode button holding.



*\*potentiometer current position defined by its cutted edge and marked by red arrow on the picture above*



Wire colors

- Red** Power (to the monitor)
- Black** Ground (to the monitor)
- Yellow** Video (to the monitor)
- White** Audio (to the monitor)
- Blue** COM. (Common) relay terminal
- Brown** N.O. (Normally opened) relay terminal
- Green** N.C. (Normally closed) relay terminal
- Purple** Direct mechanical lock connection
- Orange** Exit button
- Gray** Outdoor panel power supply, +12V

4. Schematic diagrams

Diagram 1. Outdoor panel with direct mechanical lock connection.

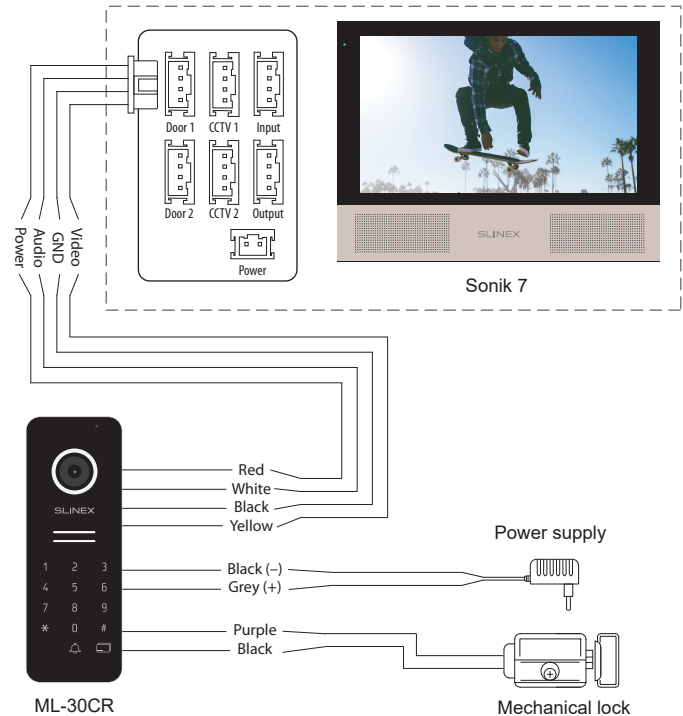


Diagram 2. Mechanical lock connection using separate power supply.

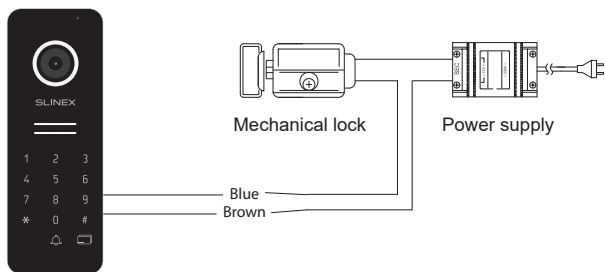
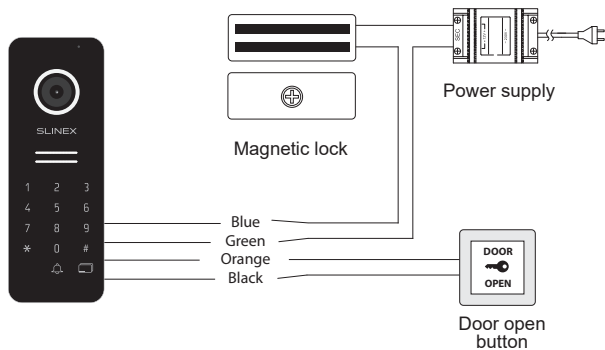
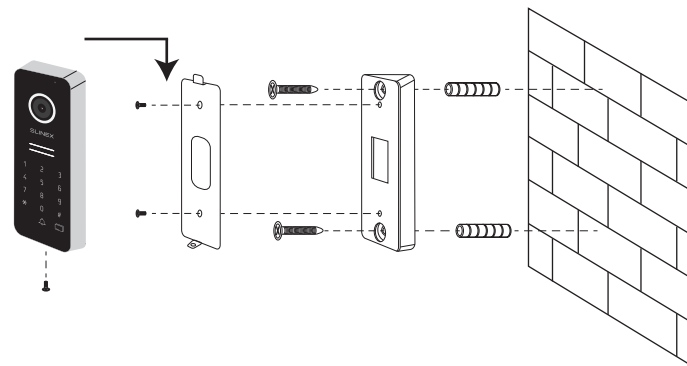


Diagram 3. Magnetic lock connection.

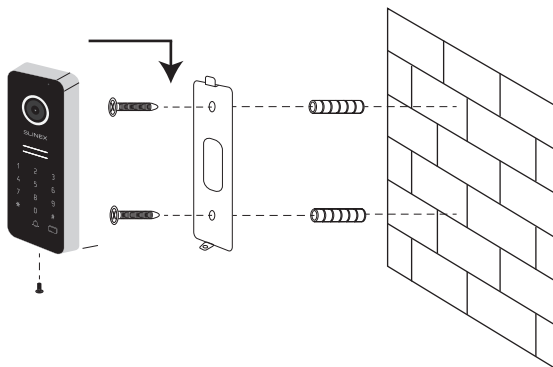


## 5. Installation



### Angle mounting:

- 1) Take the angle bracket from the kit and place it 150-160 cm from the floor line;
- 2) Mark and drill two holes inside the wall;
- 3) Take two nuts from the kit and hammer them into the drilled holes;
- 4) Fix angle bracket on the wall with two screws from the kit;
- 5) Fix surface mounting bracket on the angle bracket with two screws from the kit;
- 6) Connect all communication wires and fix the door panel on the surface mounting bracket with the screw from the bottom side.



### Surface mounting:

- 1) Take a surface mounting bracket from the kit and place it 150-160 cm from the floor line;
- 2) Mark and drill two holes inside the wall;
- 3) Take two nuts from the kit and hammer them into the drilled holes;
- 4) Fix the surface mounting bracket on the wall with two screws from the kit;
- 5) Connect all communication wires and fix the door panel on the surface mounting bracket with the screw from the down side.

## 6. Settings

Connect +12V power supply through the gray (+) and black (-) wires of the door panel communication cable.

### 6.1. Memory reset

Press and hold «reset» button (situated under resin cap on the back cover of the door panel, see page 6) for 3 seconds, until long beep sound is heard. Release «reset» button and shortly press it again for three times. Then you will hear 3x long beep sound. It means that the memory was reset.

### 6.2. Master password setup

- 1) In standby mode enter master password (default master password is 1234) and press # button to enter settings mode. Double long beep sound will be heard;
- 2) Press 0 and # button to enter into master password setup mode. One long beep sound will be heard;
- 3) Enter new 4-digit password and press # button. One long beep sound will be heard;
- 4) Press \* button to exit into standby mode. Double short beep sound will be heard.

### 6.3. Unlock password setting

- 1) In standby mode enter master password (default master password is 1234) and press # button to enter settings mode. Double long beep sound will be heard;
- 2) Press 1 and # button to enter into user password setting mode. One long beep sound will be heard;
- 3) Enter 3-digit cell number from 000 to 199, and press # button. One long beep sound will be heard;
- 4) Enter new 4-digit user password and press # button to add it into the door panel memory. One long beep sound will be heard in case of successful adding. If current cell is already occupied then double short beep sound will be heard;
- 5) User can continue adding new passwords by entering them and pressing # button after each password. In that case every next password will be added into the next cell number;
- 6) Press \* button twice to exit into standby mode. Double short beep sound will be heard.

*Example:*

*add 3333 password into 003 cell number and 4444 password into 004 cell number:*

*1234# 1# 003# 3333# 4444# \*\**

### 6.4. Unlock password deleting

- 1) In standby mode enter master password (default master password is 1234) and press # button to enter settings mode. Double long beep sound will be heard;
- 2) Press 2 and # button to enter into user password deleting mode. One long beep sound will be heard;
- 3) Enter 3-digit cell number from 000 to 199, and press # button to delete the password which this cell contains. One long beep sound will be heard. Enter 99 instead of cell number and press # button to delete all user passwords;
- 4) User can continue deleting passwords by entering their cell numbers and pressing # button after each cell number;
- 5) Press \* button twice to exit into standby mode. Double short beep sound will be heard.

*Example:*

*delete passwords from 003 and 004 cell numbers:*

*1234# 2# 003# 004# \*\**

*delete all passwords:*

*1234# 2# 99# \*\**



## 6.5. Wireless unlock key setting

- 1) In standby mode enter master password (default master password is 1234) and press # button to enter settings mode. Double long beep sound will be heard;
- 2) Press 3 and # button to enter into wireless unlock key setting mode. One long beep sound will be heard;
- 3) Enter 3-digit cell number from 000 to 199, and press # button. One long beep sound will be heard;
- 4) Touch the new key near wireless card reader zone. One long beep sound will be heard in case of successful adding. If current cell is already occupied then double short beep sound will be heard;
- 5) User can continue adding new wireless keys by touching them near wireless card reader. In that case every next key will be added into the next cell number;
- 6) Press \* button twice to exit into standby mode. Double short beep sound will be heard.

*Example:*

*add wireless key into 003 cell number*

*1234# 3# 003# touch the wireless key near card reader zone \*\**

There is also an alternative way to add wireless unlock keys. In standby mode shortly press «reset» button (situated under resin cap on the back cover of the door panel, see page 6). Then touch the new keys near wireless card reader zone one by one. After adding all the wireless keys shortly press «reset» button again to exit into standby mode. Using this method wireless unlock keys automatically added to the free cells.

## 6.6. Wireless unlock key deleting

- 1) In standby mode enter master password (default master password is 1234) and press # button to enter settings mode. Double long beep sound will be heard;
- 2) Press 4 and # button to enter into wireless unlock key deleting mode. One long beep sound will be heard;
- 3) Enter 3-digit cell number from 000 to 199, and press # button to delete the password which this cell contains. One long beep sound will be heard. Enter 99 instead of cell number and press # button to delete all wireless unlock keys;
- 4) User can continue unlock key deleting by entering cell number and pressing # button after each cell number;
- 5) Press \* button twice to exit into standby mode. Double short beep sound will be heard.

Example:

delete wireless unlock key from 003 and 004 cell numbers

1234# 4# 003# 004# \*\*

### 6.7. Keyboard backlight setup

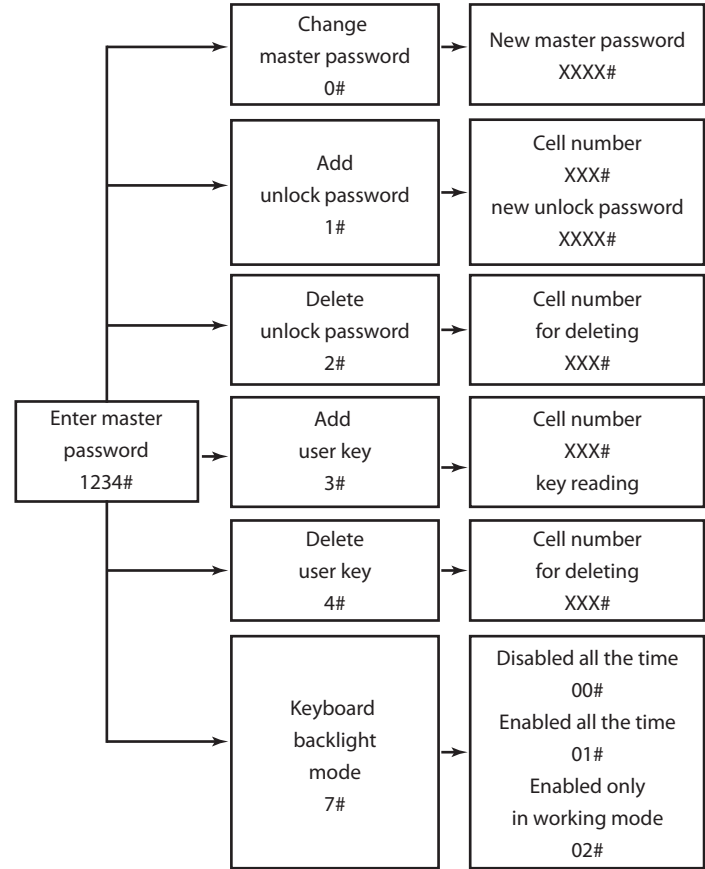
- 1) In standby mode enter master password (default master password is 1234) and press # button to enter settings mode. Double long beep sound will be heard;
- 2) Press 7 and # button to enter into keyboard backlight setup mode. One long beep sound will be heard;
- 3) Enter one of the next values:  
 00 – keyboard backlight disabled all the time;  
 01 – keyboard backlight enabled all the time;  
 02 – keyboard backlight enabled in working mode and disabled in standby mode;  
 and press # to set keyboard backlight mode. One long beep sound will be heard;
- 4) Press \* button to exit into standby mode. Double short beep sound will be heard.

Example:

enable keyboard backlight only in working mode

1234# 7# 02# \*

### 7. Settings diagram



## 8. Limited warranty

Manufacturer guarantees product normal functioning during the warranty period if the user keeps all safety instructions described in that manual.

Warranty period is 12 months from the moment of the product purchasing (warranty period could be extended up to 24 months or more, depending on the local regulations).

Warranty period allows user to make guarantee repair in cases when normal functioning of the product was violated by the fault of manufacturer and the user haven't offend transporting, installation and working conditions.

This limited warranty does not cover any damage to the product that results from improper installation, accident, abuse, misuse, natural disaster, insufficient or excessive electrical supply, abnormal mechanical or environmental conditions, or any unauthorized disassembly, repair or modification.

Warranty void in such cases:

- the product was damaged by the fault of the customer;
- the product wasn't properly installed according to the recommendations from the manual;
- the sticker on the backside of the product was broken;
- the product was not used for its intended function.

This limited warranty covers only repair, replacement, refund or credit for defective products, as provided above. Manufacturer is not liable for, and does not cover under warranty, any damages or losses of any kind

whatsoever resulting from loss of, damage to, or corruption of, content or data or any costs associated with determining the source of system problems or removing, servicing or installing products. This warranty excludes the third party software, connected equipment or stored data. Manufacturer is therefore not liable for any losses or damage attributable to the third party software, connected equipment or stored data.

In the event a product has been discontinued, manufacturer shall either repair the product, offer to replace it with a comparable product or provide a refund at the lesser of the purchase price or the product's current value.

Repaired or replacement products will continue to be covered by this limited warranty for the remainder of the original warranty term.